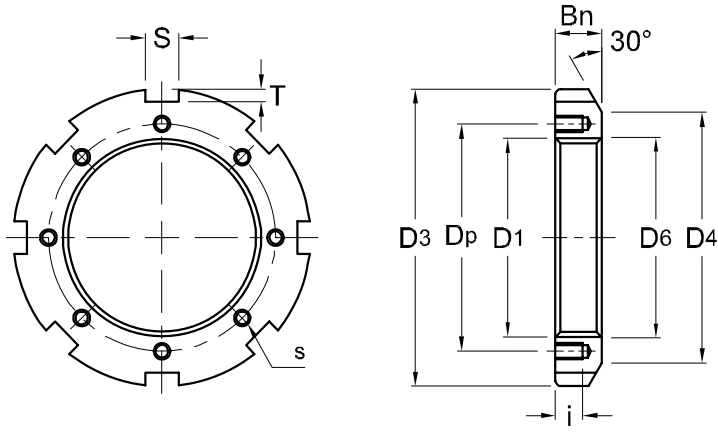




Locknuts
AN
HM 31



Lock Nut Part No.	D ₁ Thread ¹⁾	D ₃ mm	D ₄ mm	Bn mm	S mm	T mm	D ₆ mm	i mm	Tapped Hole s Threads	Dp mm	Suitable Lock plate No.	Weight (kgs)
AN 44	Tr 220 x 4	280	250	32	20	10	222	15	M 8 x 1.25	238	AL 44	5.200
AN 48	Tr 240 x 4	300	270	34	20	10	242	15	M 8 x 1.25	258	AL 48	5.950
AN 52	Tr 260 x 4	330	300	36	24	12	262	18	M 10 x 1.5	281	AL 52	8.050
AN 56	Tr 280 x 4	350	320	38	24	12	282	18	M 10 x 1.5	301	AL 56	9.050
AN 60	Tr 300 x 4	380	340	40	24	12	302	18	M 10 x 1.5	326	AL 60	11.800
AN 64	Tr 320 x 5	400	360	42	24	12	322.5	18	M 10 x 1.5	345	AL 64	13.100
AN 68	Tr 340 x 5	440	400	55	28	15	342.5	21	M 12 x 1.75	372	AL 68	23.100
AN 72	Tr 360 x 5	460	420	58	28	15	362.5	21	M 12 x 1.75	392	AL 72	25.100
AN 76	Tr 380 x 5	490	440	60	32	18	382.5	21	M 12 x 1.75	414	AL 76	30.900
AN 80	Tr 400 x 5	520	460	62	32	18	402.5	27	M 16 x 2.0	439	AL 80	36.900
AN 84	Tr 420 x 5	540	490	70	32	18	422.5	27	M 16 x 2.0	459	AL 84	43.500
AN 88	Tr 440 x 5	560	510	70	36	20	442.5	27	M 16 x 2.0	477	AL 88	45.300
AN 92	Tr 460 x 5	580	540	75	36	20	462.5	27	M 16 x 2.0	497	AL 92	50.400
AN 96	Tr 480 x 5	620	560	75	36	20	482.5	27	M 16 x 2.0	527	AL 96	62.200
AN 100	Tr 500 x 5	630	580	80	40	23	502.5	27	M 16 x 2.0	539	AL 100	63.300

NOTE :

1) Tr means 30°, trapezoid thread and the digits are major diameter of thread and pitch.

Tr代表30°，梯形螺紋；數字代表螺紋外徑及螺距。

2) The specifications of AN can be applied for HM31.

AN的尺寸規格適用於HM31。