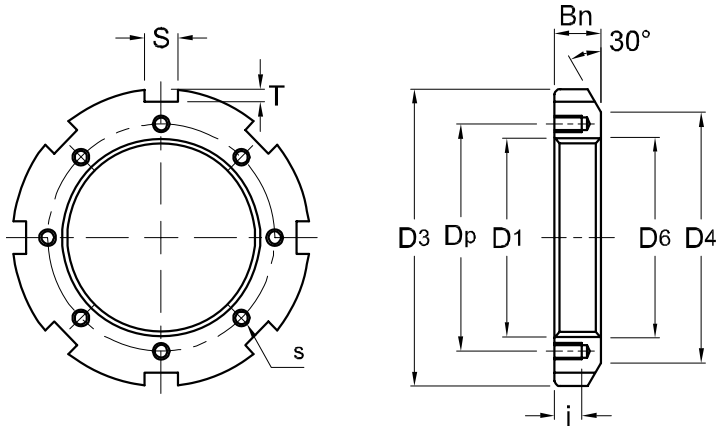




Locknuts
ANL
HM 30



Lock Nut Part No.	D ₁ Thread ¹⁾	D ₃ mm	D ₄ mm	B _n mm	S mm	T mm	D ₆ mm	i mm	Tapped Holes Threads	D _p mm	Suitable Lock plate No.	Weight (kgs)
ANL 44	Tr 220 x 4	260	242	30	20	9	222	12	M 6 x 1.0	229	ALL 44	3.090
ANL 48	Tr 240 x 4	290	270	34	20	10	242	15	M 8 x 1.25	253	ALL 48	5.160
ANL 52	Tr 260 x 4	310	290	34	20	10	262	15	M 8 x 1.25	273	ALL 52	5.670
ANL 56	Tr 280 x 4	330	310	38	24	10	282	15	M 8 x 1.25	293	ALL 56	6.780
ANL 60	Tr 300 x 4	360	336	42	24	12	302	15	M 8 x 1.25	316	ALL 60	9.620
ANL 64	Tr 320 x 5	380	356	42	24	12	322.5	15	M 8 x 1.25	335	ALL 64	9.940
ANL 68	Tr 340 x 5	400	376	45	24	12	342.5	15	M 8 x 1.25	355	ALL 68	11.700
ANL 72	Tr 360 x 5	420	394	45	28	13	362.5	15	M 8 x 1.25	374	ALL 72	12.000
ANL 76	Tr 380 x 5	450	422	48	28	14	382.5	18	M 10 x 1.5	398	ALL 76	14.900
ANL 80	Tr 400 x 5	470	442	52	28	14	402.5	18	M 10 x 1.5	418	ALL 80	16.900
ANL 84	Tr 420 x 5	490	462	52	32	14	422.5	18	M 10 x 1.5	438	ALL 84	17.400
ANL 88	Tr 440 x 5	520	490	60	32	15	442.5	21	M 12 x 1.75	462	ALL 88	26.200
ANL 92	Tr 460 x 5	540	510	60	32	15	462.5	21	M 12 x 1.75	482	ALL 92	27.700
ANL 96	Tr 480 x 5	560	530	60	36	15	482.5	21	M 12 x 1.75	502	ALL 96	28.700
ANL 100	Tr 500 x 5	580	550	68	36	15	502.5	21	M 12 x 1.75	522	ALL 100	33.600

NOTE :

1) Tr means 30°, trapezoid thread and the digits are major diameter of thread and pitch.

Tr代表30°，梯形螺紋；數字代表螺紋外徑及螺距。

2) The specifications of AN can be applied for HM30.

ANL的尺寸規格適用於HM30。