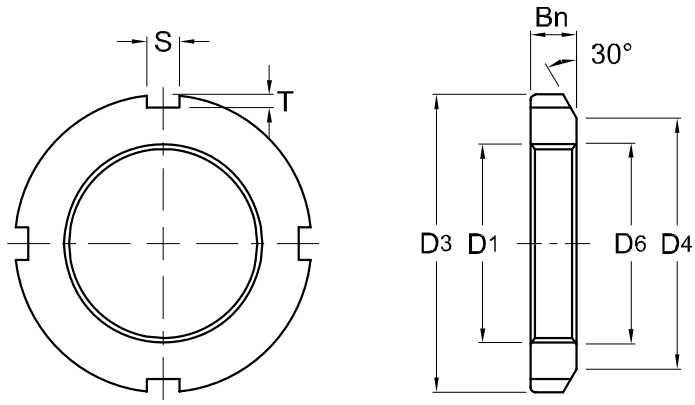




Locknuts
ANL / KML



Lock Nut Part No.	D ₁ Thread	D ₃ mm	D ₄ mm	B _n mm	S mm	T mm	D ₆ mm	Lock Washer	Weight (kgs)
ANL 24	M 120 x 2.0	145	135	20	12	5	121	AWL 24	0.780
ANL 26	M 130 x 2.0	155	145	21	12	5	131	AWL 26	0.880
ANL 28	M 140 x 2.0	165	155	22	12	5	141	AWL 28	0.990
ANL 30	M 150 x 2.0	180	170	24	14	5	151	AWL 30	1.380
ANL 32	M 160 x 3.0	190	180	25	14	5	161.5	AWL 32	1.560
ANL 34	M 170 x 3.0	200	190	26	16	5	171.5	AWL 34	1.720
ANL 36	M 180 x 3.0	210	200	27	16	5	181.5	AWL 36	1.950
ANL 38	M 190 x 3.0	220	210	28	16	5	191.5	AWL 38	2.080
ANL 40	M 200 x 3.0	240	222	29	18	8	201.5	AWL 40	2.980

NOTE :

1) M means metric thread and the digits are major diameter of thread and pitch.

M代表公制螺紋；數字代表螺紋外徑及螺距。

2) The specifications of ANL can be applied for KML.

ANL的尺寸規格適用於KML。