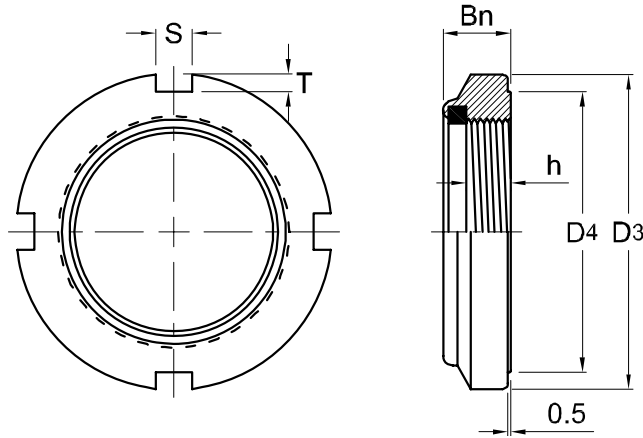




**Self-locking Nut
GUK**



Part No.	Thread	D ₃ mm	D ₄ mm	Bn mm	S mm	T mm	h mm	No. of grooves for hook	Weight (kgs)
GUK 10	M 10 x 0.75	18	15	7.4	3	1.5	4.5	4	0.007
GUK 12	M 12 x 1.0	21	18	7.4	3	1.5	4.5	4	0.009
GUK 15	M 15 x 1.0	24	21	8.4	4	1.5	5.5	4	0.012
GUK 17	M 17 x 1.0	28	24	8.4	4	2.0	5.5	4	0.018
GUK 20	M 20 x 1.0	32	27	9.4	4	2.5	6.5	4	0.024
GUK 25	M 25 x 1.5	38	33	10.3	5	2.5	6.5	4	0.035
GUK 30	M 30 x 1.5	44	38	10.9	5	3.0	6.5	4	0.047
GUK 35	M 35 x 1.5	50	44	11.1	5	3.0	7.0	4	0.062
GUK 40	M 40 x 1.5	56	50	12.1	6	3.0	8.2	4	0.077
GUK 45	M 45 x 1.5	62	55	12.1	6	3.5	8.2	4	0.097
GUK 50	M 50 x 1.5	68	61	12.7	6	3.5	8.5	4	0.124
GUK 55	M 55 x 2.0	75	68	13.2	7	3.5	8.5	6	0.160
GUK 60	M 60 x 2.0	80	73	13.2	7	3.5	8.5	6	0.160
GUK 65	M 65 x 2.0	85	77	14.3	7	4.0	9.5	6	0.179
GUK 70	M 70 x 2.0	92	84	14.3	8	4.0	9.5	6	0.230
GUK 75	M 75 x 2.0	98	89	15.3	8	4.5	10.5	6	0.264
GUK 80	M 80 x 2.0	105	96	16.3	8	4.5	11.5	8	0.315
GUK 85	M 85 x 2.0	110	105	17.3	8	5.0	12.5	8	0.369
GUK 90	M 90 x 2.0	120	110	17.5	10	5.0	12.5	8	0.474
GUK 95	M 95 x 2.0	125	115	18.5	10	5.0	13.5	8	0.519
GUK 100	M 100 x 2.0	130	120	19.5	10	5.0	14.5	8	0.570

NOTE :

- 1) Unnecessary to add tooth lock washer.
不需再加齒型防鬆墊圈。
- 2) Unnecessary to mail a keyway on the shaft and shorten its assembled.
不需再上鍵槽，節省組裝時間。
- 3) Allow to be used after repeatedly screwing.
可容許反覆鎖緊卸下使用。
- 4) Bearing and vibration and ensuring the integrated resistance when not tightened.
可承受振動，未鎖緊亦能確保完整抗力。
- 5) The surface is galvanized to prevent rust.
表面鍍鋅處理，可防止生鏽。
- 6) Standards : M10-M100.
規格：M10-M100。