

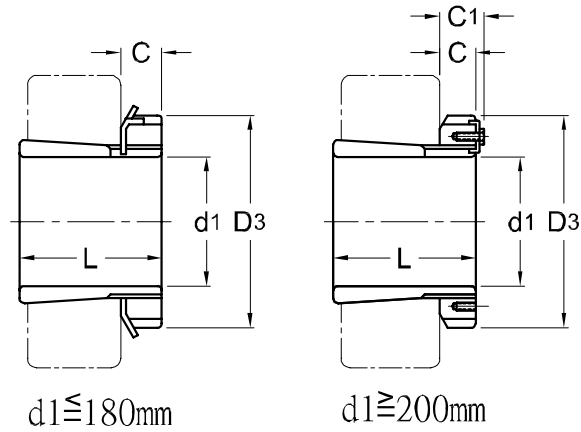


Adapter Sleeves

H 30

HE 30

HA 30



TAPER 1 : 12

Adapter ¹⁾	d ₁			L	D ₃	C	C ₁ ⁴⁾	Lock Nut	Lock Washer & Plate	Weight (kgs)
Part No.	H mm	HE ²⁾ in	HA ³⁾ in	mm	mm	mm	mm			
H 3024	110	4 1/4	4 3/16	72	145	22	—	ANL 24	AWL 24	1.930
H 3026	115	4 1/2	4 7/16	80	155	23	—	ANL 26	AWL 26	2.850
H 3028	125	5	4 15/16	82	165	24	—	ANL 28	AWL 28	3.160
H 3030	135	5 1/4	5 3/16	87	180	26	—	ANL 30	AWL 30	3.890
H 3032	140	5 1/2	5 7/16	93	190	28	—	ANL 32	AWL 32	5.210
H 3034	150	6	5 15/16	101	200	29	—	ANL 34	AWL 34	5.990
H 3036	160	6 1/2	6 7/16	109	210	30	—	ANL 36	AWL 36	6.830
H 3038	170	6 3/4	6 15/16	112	220	31	—	ANL 38	AWL 38	7.450
H 3040	180	7	7 3/16	120	240	32	—	ANL 40	AWL 40	9.190
H 3044	200	8	7 15/16	126	260	30	41	ANL 44	ALL 44	10.300
H 3048	220	—	8 15/16	133	290	34	46	ANL 48	ALL 48	13.200
H 3052	240	—	9 7/16	145	310	34	46	ANL 52	ALL 52	15.300
H 3056	260	—	10 7/16	152	330	38	50	ANL 56	ALL 56	17.700
H 3060	280	—	10 15/16	168	360	42	54	ANL 60	ALL 60	22.800
H 3064	300	—	11 15/16	171	380	42	55	ANL 64	ALL 64	24.600
H 3068	320	—	12 7/16	187	400	45	58	ANL 68	ALL 68	28.700
H 3072	340	—	13 7/16	188	420	45	58	ANL 72	ALL 72	30.500
H 3076	360	—	13 15/16	193	450	48	62	ANL 76	ALL 76	35.800
H 3080	380	—	—	210	470	52	66	ANL 80	ALL 80	41.300
H 3084	400	—	—	212	490	52	66	ANL 84	ALL 84	43.700
H 3088	410	—	—	228	520	60	77	ANL 88	ALL 88	65.200
H 3092	430	—	—	234	540	60	77	ANL 92	ALL 92	69.500
H 3096	450	—	—	237	560	60	77	ANL 96	ALL 96	73.300
H 30/500	470	—	—	247	580	68	85	ANL 100	ALL 100	81.800

NOTE :

- 1) Adapter sleeves are supplied complete with lock nuts and lock washers or lock plates.
整組緊定套附螺母及華司或鎖定片。
- 2) Adapter sleeves for these bores are designated as HE, e.g. HE3024.
此欄套筒內徑規格為HE，例如HE3024。
- 3) Adapter sleeves for these bores are designated as HA, e.g. HA3024.
此欄套筒內徑規格為HA，例如HA3024。
- 4) Adapter with the dimension C1 have a locking device as shown in the right illustration.
標示出C1尺寸的套筒附鎖定裝置，如右圖所示。