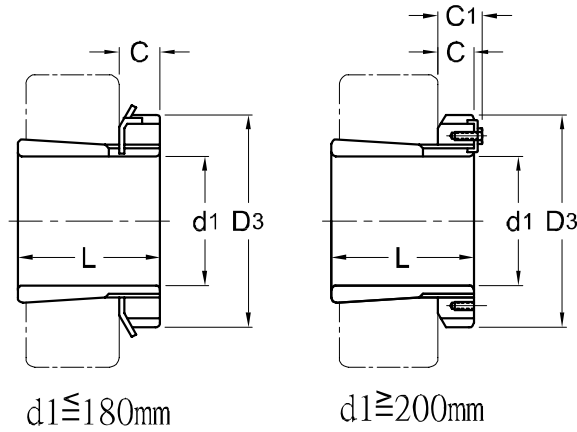




**Adapter Sleeves  
H 39**



TAPER 1 : 12

Adapter <sup>1)</sup> Part No.	d1 mm	L mm	D <sub>3</sub> mm	C mm	C1 <sup>2)</sup> mm	Lock Nut	Lock Washer & Plate	Weight (kgs)
H 3936	160	87	210	29.5	—	ANL 36	AWL 36	5.700
H 3938	170	89	220	30.5	—	ANL 38	AWL 38	6.190
H 3940	180	98	240	31.5	—	ANL 40	AWL 40	7.890
H 3944	200	96	260	30	41	ANL 44	ALL 44	8.160
H 3948	220	101	290	34	46	ANL 48	ALL 48	10.700
H 3952	240	116	310	34	46	ANL 52	ALL 52	12.800
H 3956	260	121	330	38	50	ANL 56	ALL 56	14.800
H 3960	280	140	360	42	54	ANL 60	ALL 60	19.800
H 3964	300	140	380	42	55	ANL 64	ALL 64	21.000
H 3968	320	144	400	45	58	ANL 68	ALL 68	23.500
H 3972	340	144	420	45	58	ANL 72	ALL 72	24.500
H 3976	360	164	450	48	62	ANL 76	ALL 76	31.500
H 3980	380	168	470	52	66	ANL 80	ALL 80	35.000
H 3984	400	168	490	52	66	ANL 84	ALL 84	36.600
H 3988	410	189	520	60	77	ANL 88	ALL 88	57.300
H 3992	430	189	540	60	77	ANL 92	ALL 92	59.900
H 3996	450	200	560	60	77	ANL 96	ALL 96	64.900
H 39/500	470	208	580	68	85	ANL 100	ALL 100	73.100

NOTE :

- 1) Adapter sleeves are supplied complete with lock nuts and lock washers or lock plates.  
整組緊定套附螺母及華司或鎖定片。
- 2) Adapter with the dimension C1 have a locking device as shown in the right illustration.  
標示出C1尺寸的套筒附鎖定裝置，如右圖所示。