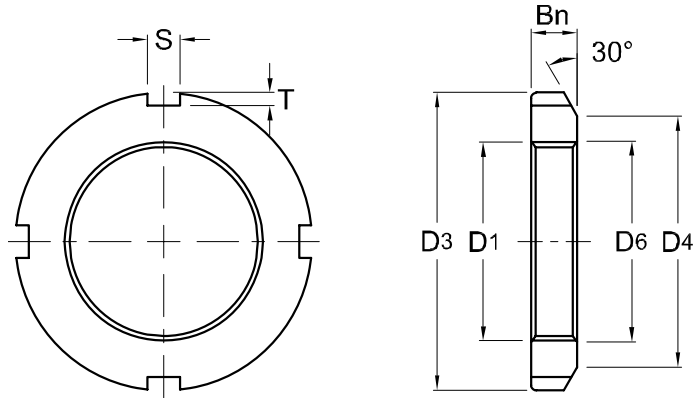




## Locknuts

HN

HM



Lock Nut Part No.	D <sub>1</sub> Thread <sup>1)</sup>	D <sub>3</sub> mm	D <sub>4</sub> mm	B <sub>n</sub> mm	S mm	T mm	D <sub>6</sub> mm	Weight (kgs)
HN 42	Tr 210 x 4	270	238	30	20	10	212	4.750
HN 44	Tr 220 x 4	280	250	32	20	10	222	5.350
HN 46	Tr 230 x 4	290	260	34	20	10	232	5.800
HN 48	Tr 240 x 4	300	270	34	20	10	242	6.200
HN 50	Tr 250 x 4	320	290	36	20	10	252	7.000
HN 52	Tr 260 x 4	330	300	36	24	12	262	8.550
HN 54	Tr 270 x 4	340	310	38	24	12	272	9.200
HN 56	Tr 280 x 4	350	320	38	24	12	282	10.000
HN 58	Tr 290 x 4	370	330	40	24	12	292	11.800
HN 60	Tr 300 x 4	380	340	40	24	12	302	12.000
HN 62	Tr 310 x 5	390	350	42	24	12	312.5	13.400
HN 64	Tr 320 x 5	400	360	42	24	12	322.5	13.500
HN 66	Tr 330 x 5	420	380	52	28	15	332.5	20.400
HN 68	Tr 340 x 5	440	400	55	28	15	342.5	24.500
HN 70	Tr 350 x 5	450	410	55	28	15	352.5	25.200
HN 72	Tr 360 x 5	460	420	58	28	15	362.5	27.500
HN 74	Tr 370 x 5	470	430	58	28	15	372.5	28.200
HN 76	Tr 380 x 5	490	440	60	32	18	382.5	33.500
HN 80	Tr 400 x 5	520	460	62	32	18	402.5	40.000
HN 84	Tr 420 x 5	540	490	70	32	18	422.5	46.900
HN 88	Tr 440 x 5	560	510	70	36	20	442.5	48.500
HN 92	Tr 460 x 5	580	540	75	36	20	462.5	55.000
HN 96	Tr 480 x 5	620	560	75	36	20	482.5	67.000
HN 100	Tr 500 x 5	630	590	80	40	23	502.5	69.000
HN 102	Tr 510 x 6	650	590	80	40	23	513	75.000
HN 106	Tr 530 x 6	670	610	80	40	23	533	78.000
HN 110	Tr 550 x 6	700	640	80	40	23	553	92.500

### NOTE :

1) Tr means 30°, trapezoid thread and the digits are major diameter of thread and pitch.

Tr代表30°，梯形螺紋；數字代表螺紋外徑及螺距。

2) The specifications of HN can be applied for HM.

HN的尺寸規格適用於HM。